

# SAFETY SCREEN PARTITIONS

CORPORATE • PUBLIC • RETAIL SOLUTIONS

## Aluminum Finish

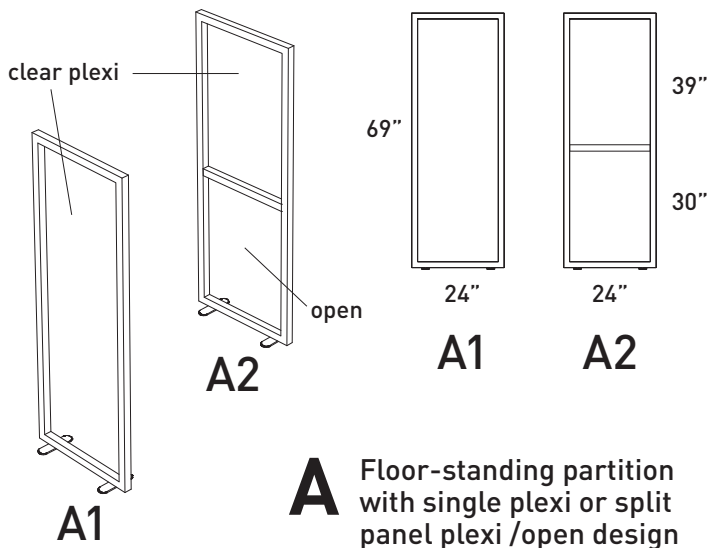
- Clear plexi and opaque panel options
- Flat-pack shipments
- Desk top and floorstanding models
- Stock and custom sizes available
- Easily installed onto your current desks and counters



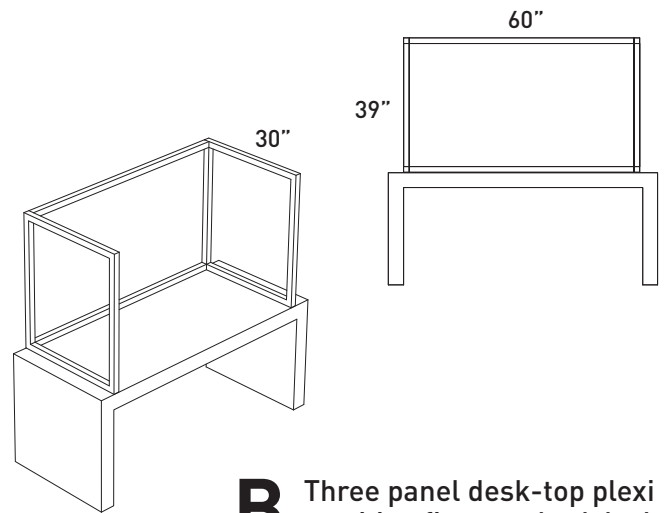
SUITABLE FOR SHARED WORKSTATIONS  
OR PUBLIC FACING COUNTERS

# SAFETY SCREEN PARTITIONS

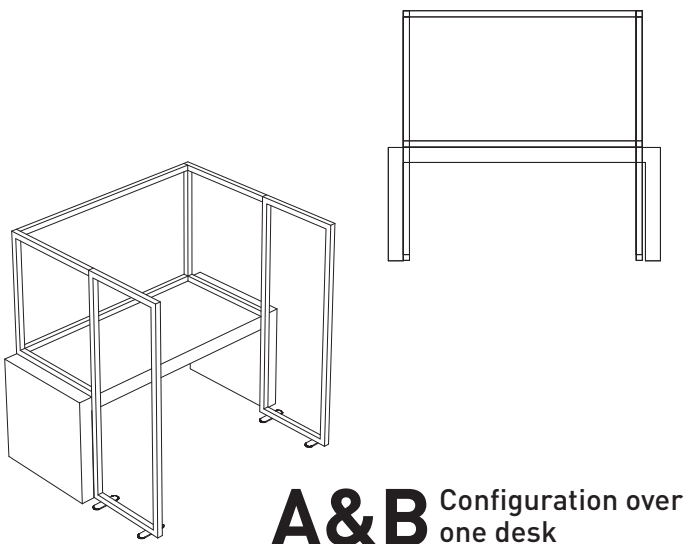
CORPORATE • PUBLIC • RETAIL SOLUTIONS



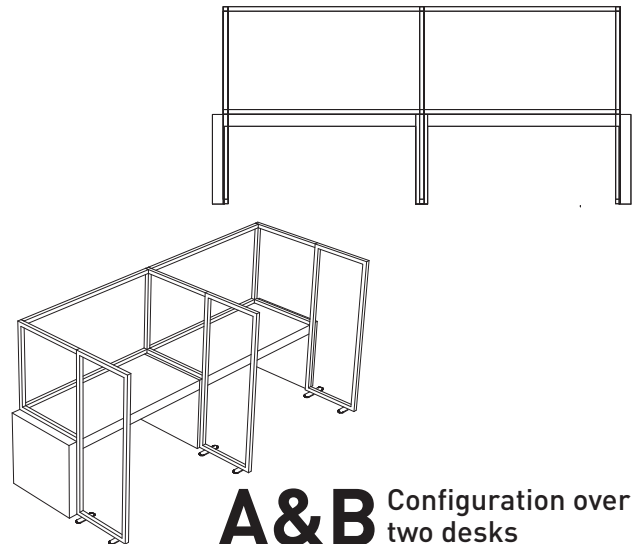
**A** Floor-standing partition with single plexi or split panel plexi / open design



**B** Three panel desk-top plexi partition fits standard desks, custom sizes available



**A&B** Configuration over one desk

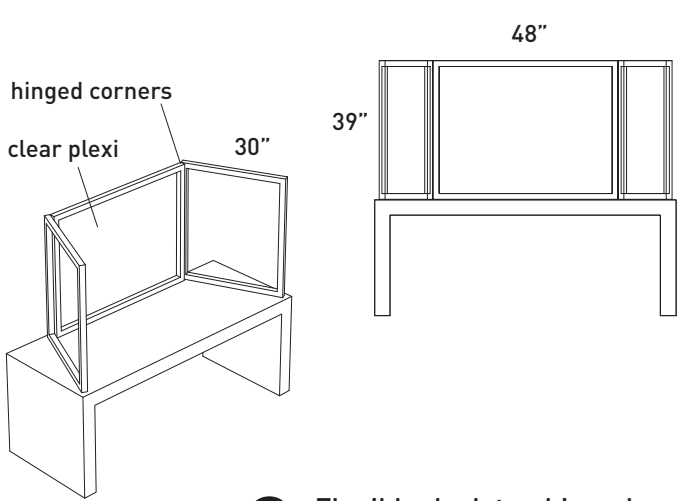


**A&B** Configuration over two desks

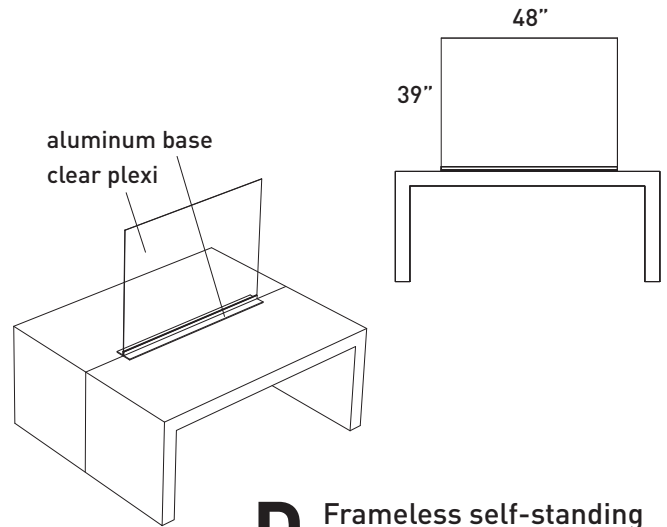
SUITABLE FOR SHARED WORKSTATIONS  
OR PUBLIC FACING COUNTERS

# SAFETY SCREEN PARTITIONS

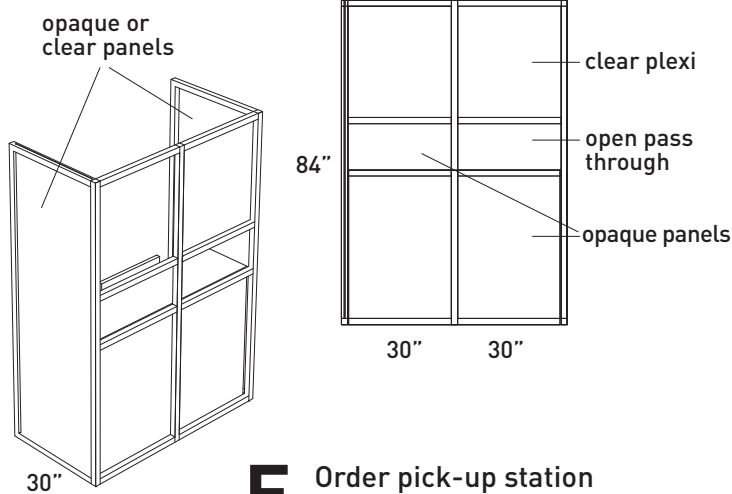
CORPORATE • PUBLIC • RETAIL SOLUTIONS



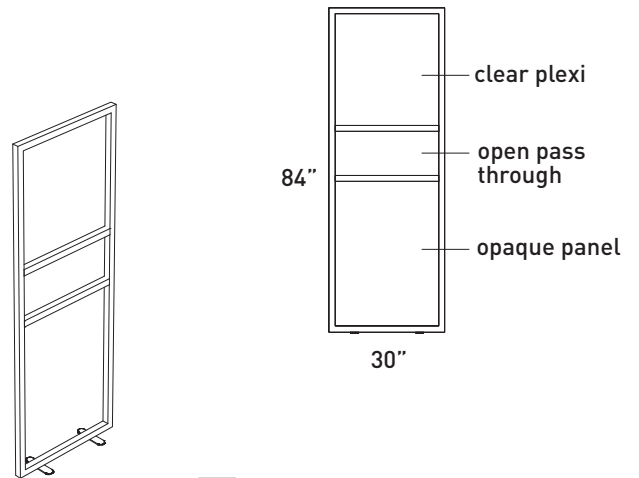
**C** Flexible desk top hinged plexi partition



**D** Frameless self-standing plexi partition



**E** Order pick-up station



**F** Self standing partition with pass through window

SUITABLE FOR SHARED WORKSTATIONS  
OR PUBLIC FACING COUNTERS